



## OVERVIEW

Black box IP server, the world's first embedded MPEG-4 Web Camera Engine, provides excellent video quality over the internet at an attractive price point. MI offers a breakthrough solution for network video security by providing a low-cost 4 channel video input system.

The BB IP video server has 4 video channel inputs with simultaneous MPEG-4 encoding for each input. The capability of encoding up to 20 frames/sec can be arbitrarily assigned to each channel. Finally, 1 channel has Bi-directional audio capability for VoIP communication.

## Features

- **4 Channel Low Cost MPEG-4 Web Camera Engine**
- **Video Input: Max. 4**
- Normal CCD Camera Input
- No Need for External Sync Cameras
- MPEG-4 Video Encoding
- 200-500:1 Compression Ratio
- QVGA(320\*240) Resolution
- For QVGA, up to 20fps
- Maximum for 4 Cameras.
- 1-channel Bi-directional Audio Supported
- Remote Control over Internet
- PC Viewer Active-x Supported
- Dynamic IP Supported
- Motion Detection Area Setting and Recording
- Useful For Alarm Monitoring and Verification

## ADJUSTABLE FRAME RATE AND VIDEO RESOLUTION

The total encoding capability of 1 unit of BB IP Vserver for QVGA resolution is 20 frames/second. For HVGA (640x240) the capability is 10fps. You can assign and distribute this capability between the 4 channels. For example, you can assign 1 channel to have HVGA mode and the others to be just QVGA mode. The frame rate of each camera can be adjusted within the maximum capabilities available.

## WEB ACCESS & REMOTE CONTROL CAPABILITY

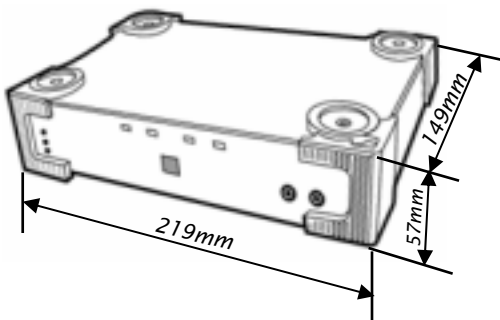
The built-in HTTP server enables you to install a web server in the WeCE. Active-X components enable the user to install the WebCamViewer software automatically in their PC with just one click. Further, a PTZ controller can be interfaced and from remote PCs you can also control the light and power of the camera site, or talk to someone near the camera. Motion and audio activity detection algorithms can provide alarms where necessary, and you can verify alerted events using video and the bi-directional audio.

*Note: This document and specifications are subject to change without notice.*

## Technical Data

▶ Standards	MPEG-4 Simple Profile, M-JPEG	▶ Protocols	TCP/IP, UDP/IP, HTTP, DHCP, ARP, PING, FTP
▶ MPEG-4 Details	½ Pixel Compensation IBP Frame Encoding	▶ GPIO	Opto-isolated Inputs: 4 Relay Output : 1
▶ Video Resolution	QVGA (320x240) HVGA (640x240)	▶ LAN Ports	10/100 BASE-T, RJ-45, 1ea
▶ Encoding Frame Rates	1ch QVGA: max. 30 fps 4ch QVGA: total 20 fps Higher Frame Rates can be Assigned to Important Channel(s). For HVGA, the Encoding Capability is Half that of QVGA	▶ SIO	RS232 RS485/422 (optional)
▶ Video Inputs	4ch. Input, NTSC/PAL 75 Ω, 1Vpp	▶ OS Support	Windows 98, 2000, ME, XP
▶ Audio Encoding	G.726, ADPCM 8KHz Sampling, 32Kbps G.723.1 CELP 8KHz Sampling, 6.3Kbps (optional)	▶ LED Display	Power, Link, LAN
▶ Bi-Directional Audio	Microphone Input: 1 Channel Loudspeaker Output: 1 Channel	▶ Power	DC 12V, 500 mA
		▶ Weight	Approx. 750g
		▶ Dimensions	219(W)X57(H)X149(D) mm
		▶ Operating Temperature & Humidity	0-50 °C 20-80% Atmospheric Humidity

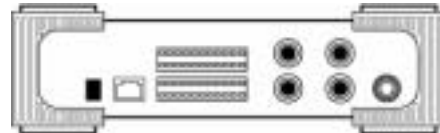
### Dimensions



### Front



### Back



Note: This document and specifications are subject to change without notice.